

SCS0420

4 Channel 20 Amp Switched Relay Source Controller

Key Features

- 4 x 20 Amp source controller
- Switches resistive, inductive and capacitive lighting loads
- Quiet operation
- 128 scene memory.
- Multiple choice of circuit protection
- Security door for MCBs
- Optional RCBO per channel
- Fail to full safety feature
- Panic/Fire alarm input
- iCAN network inputs
- Audio Visual Port (RS485)
- DMX input option
- Configuration stored in Non Volatile EEPROM
- Firmware storage in reflashable FLASH memory over iCAN network
- CE compliant to all relevant standards
- Designed and manufactured to ISO9001-2015 standards

Overview

This 4 channel high powered intelligent switching unit provides outstanding features and performance at a truly competitive price. It is rated for 80 Amps single phase of continuous inductive lighting load. This unit is designed for switching large lighting loads of most types. With a 128 scene integral memory this device offers multiple control options to meet the most demanding specifications.

With iLight's iCAN network connectivity, it has the capability of being linked with a virtually limitless number of other iLight products to build up to any size of system. This product is designed for projects where there are multiple channels of Architectural lighting. It is the perfect choice for shopping malls, atria exterior lighting and industrial areas.



Mechanical Data

Weight: 4kg (D, RCBO & RCBOX - 5kg)

Mains Cable Access: 4 x 25.5mm,
4 x PG16 and 1 x PG21 knockouts

Control Cable Access: 1 x 25mm and 1 x PG16 knockout

Climate Range:

Temperature: +2°C to +40°C

Humidity: +5 to 95% non condensing

Control Inputs:

Two sets of terminals for the iCANnet™ network

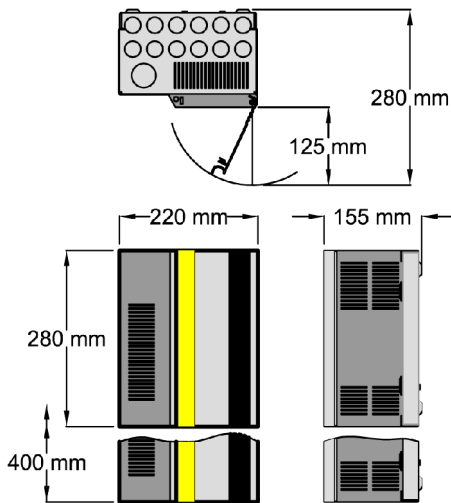
Suitable for Belden 1502

One RJ12 socket for programming the iCANnet™ network

One set of terminals for the Audio Visual Port, RS485

One set of terminals for the panic/fire alarm input

Dimensions



SCS0420 D version - 400x220x155mm
RCBO & RCBOX version - 340x255x155mm

Electrical Data

Maximum Load: 80 Amp single phase @ 40°C

Maximum Channel Current: 20 Amp

Supply: 230 volts +/- 10% 50/60 Hz
(optionally, 127 volt 60 Hz special order)

Protection: 20 Amp MCBs Type C, 6KA rated

Options:

SCS0420S - Single pole, no isolator

SCS0420N - Neutral, no isolator

SCS0420D - Double Pole, no isolator

SCS0420RCBO - RCBO Breakers with isolator

SCS0420RCBOX - 4 x SP MCBs with isolator (For field fit of RCBOs)

Load Types:

This unit is designed to work with most lighting load types.

Please consult with the iLight help desk for guidance on true load calculations. Care should be taken when specifying discharge lighting sources with power factor capacitors.

Switched Outputs:

This device uses 4 x 230 volt 20A (Resistive and Inductive)

Terminal Sizes:

Incoming supply, max' cable size: 10mm²

Loads, max' cable size: 1 x 4mm² or 2 x 2.5mm² per circuit

iCANnet™ network cable size: 5 x 1mm²

Audio Visual Port: RS485 2 x 1mm²

Panic/fire alarm input: 2 x 1mm²

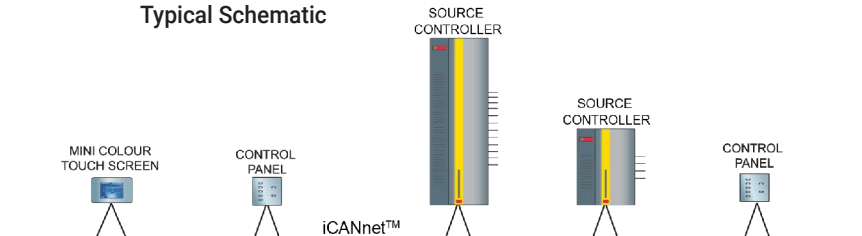
Memory:

FLASH memory to be able to upgrade firmware

EEPROM for 128 scene memory

Other Switched Relay Controllers: SCS0410, SCS1210, SCS1220,
SCMS0410 and the SCMS0810.

Typical Schematic



Contact Us

+44 (0)1923 495495

enquiries@iLight.co.uk

www.iLight.co.uk

Cooper Lighting Solutions
20 Greenhill Crescent,
Watford Business Park,
Watford, Herts, WD18 8JA. UK

Changes to the products, to the information contained in this document, and to prices are reserved; so are errors and omissions.

iLight is a registered trademark.

All other trademarks are property of their respective owners.