

# MTS6 & MTS12

## DALI Ceiling Sensor with PIR and Daylight Sensing

### Key Features

- Daylight sensing & occupancy detection technologies combined into a single device
- All device settings (timers, sensitivity and groups) programmable through software, no physical adjustments needed
- Low profile design
- Draws power from the DALI communication bus to eliminate the need for external power packs
- Sharing sensor data with third party automation systems significantly reduces total bill of materials
- Robust communication interface withstands accidental connection to power lines (up to 347V)
- CE & UKCA compliant to all relevant standards
- Designed and manufactured to ISO9001 standard

### Overview

The iLight DALI Multi-Sensor combines daylight sensing and occupancy detection into a single device.

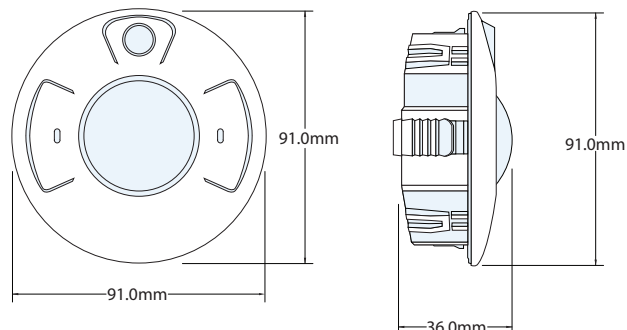
The Multi-Sensor communicates over the Digital Addressable Lighting Interface (DALI) and allows for all device settings and groups to be adjusted remotely.

MTS12 is ideally suited for large coverage in high traffic applications where major motion is expected.

MTS6 is suited to smaller coverage where minor motion is expected.



### Dimensions



## Technical Information

Supply: 9.5 - 22.5 VDC supplied by DALI bus

DALI Current Draw: 3.75mA

Temperature: 0 to 40°C (non condensing)

Dimensions: 91mm x 91mm x 36mm

Max recommended mounting height: 3.4m

## Detection Specification

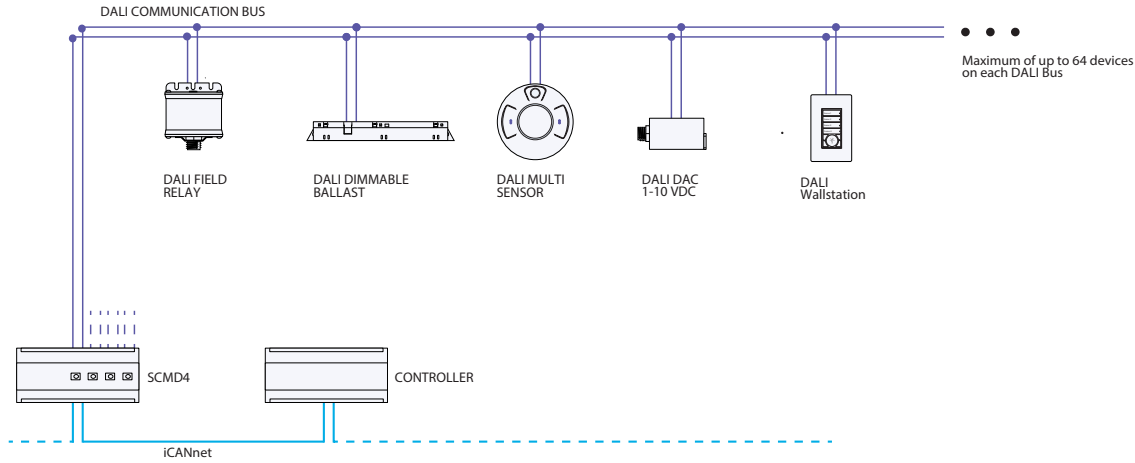
Occupancy Detection Technology: Passive Infrared (PIR)

Lens Type: Multi-level Fresnel 360°

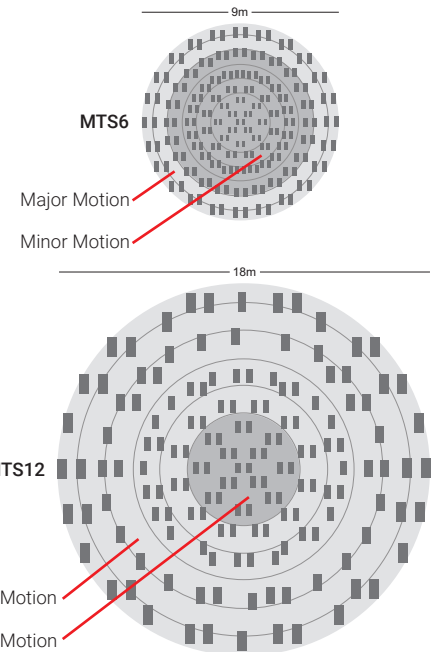
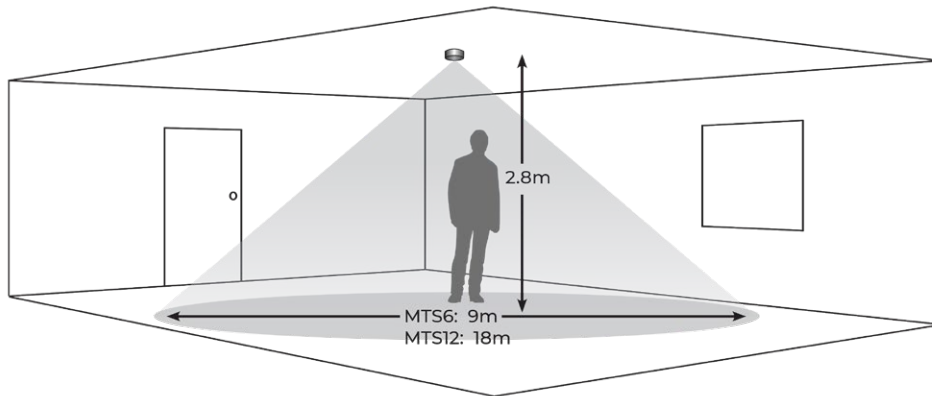
Daylight Sensing Range: 0 to 400 lux

Daylight Sensing Coverage: Light input within 60° cone

## Typical Schematic



## Maximum Detection



## Contact Us

+44 (0)1923 495495

[enquiries@iLight.co.uk](mailto:enquiries@iLight.co.uk)

[www.iLight.co.uk](http://www.iLight.co.uk)

### iLight

A brand of Signify  
Usk House, Llantarnam Park  
Cwmbran, NP44 3HD, UK

Changes to the products, to the information contained in this document, and to prices are reserved; so are errors and omissions.

© 2022 Signify Holding  
All Rights Reserved

iLight is a registered trademark.  
All other trademarks are property of their respective owners.

MTS6 & MTS12 Rev9 1022



FM 727924