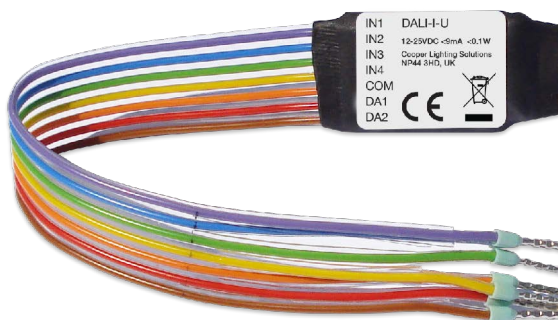


# DALI Input Unit

## DALI input unit with 4 user inputs

### Key Features

- Powered from DALI bus, compatible with standard DALI rating
- Up to four user inputs
- DALI consumption < 9 mA
- Suitable for inclusion into all standard size back boxes
- CE compliant to all relevant standards
- Designed and manufactured to ISO9001:2015 standards.



### Cable colours

- |         |          |
|---------|----------|
| Purple: | Input 1  |
| Blue:   | Input 2  |
| Green:  | Input 3  |
| Yellow: | Input 4  |
| Orange: | COM      |
| Red:    | DALI bus |
| Brown:  | DALI bus |

### Overview

The DALI Input Unit is a fully DALI-compatible interface, designed to allow customer specified switches, sensors, time clocks or other on/off control devices to be incorporated into a standard DALI installation. The DALI Input Unit is a small, pre-wired, encapsulated PCB module and it is suitable for inclusion into all standard size back boxes together with a suitable mains rated switch.

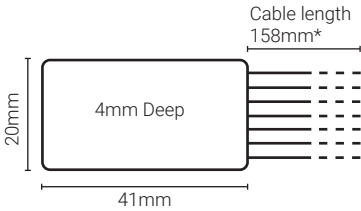
## Function

DALI Input Unit detects short-circuit connection between wires Input 1-4 and COM. Module is designed to be used with standard push buttons – short-circuit connection is the active state.

DALI Input Unit is a DALI powered device therefore external DALI power supply has to be connected on the DALI line.

Note: The push buttons used as input devices for DALI Input Unit must have mains rating (DALI bus provides basic insulation only).

## Dimensions

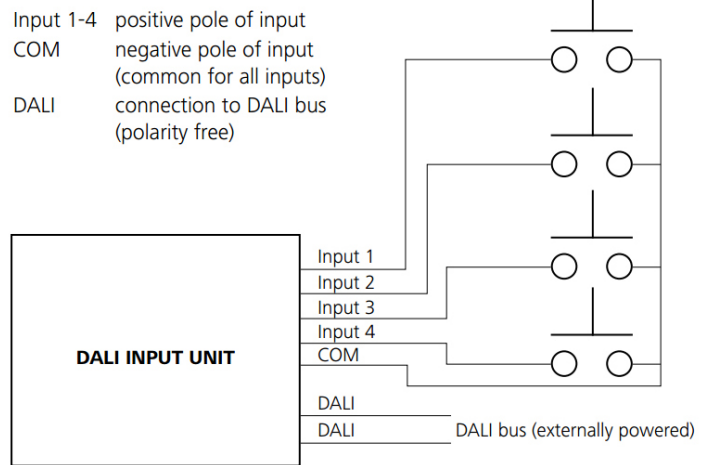


\*Do not extend cables

## Technical Information

<b>Connections</b>	
Mains cable:	Wires AWG 24 (0.5mm <sup>2</sup> )
DALI cable:	Wires AWG 24 (0.5mm <sup>2</sup> )
<b>Power</b>	
DALI voltage:	12-25VDC
DALI consumption:	<9mA
<b>Control Inputs</b>	
Voltage range:	Open 5VDC / closed max. 0.3VDC
Current range:	Max. 1mA
<b>Mechanical data</b>	
Housing:	Encapsulated PCB
Weight:	10g
<b>Operating conditions</b>	
Ambient temp. range:	0°C - +40°C
Relative humidity:	85% (non-condensing)
Storage temp. range:	-40°C - +70°C

## Wiring Diagram



## Contact Us

+44 (0)1923 495495

**Cooper Lighting Solutions**  
20 Greenhill Crescent,  
Watford Business Park,  
Watford, Herts, WD18 8JA. UK

© 2020 Cooper Lighting Solutions  
All Rights Reserved

DALI Input Unit Rev4 0520

enquiries@iLight.co.uk

www.iLight.co.uk

Changes to the products, to the information contained in this document, and to prices are reserved; so are errors and omissions.

iLight is a registered trademark.

All other trademarks are property of their respective owners.