

# Installation Guide

## SCMA0401

4 Channel x 1A Adaptive Dimmer – DINrail Mount



### Eaton Lighting Systems

Usk House, Lakeside  
Llantarnam Park,  
Cwmbran,  
NP44 3HD, UK

T: +44 (0)1923 495495  
E: techsupportcc@eaton.com  
www.iLight.co.uk

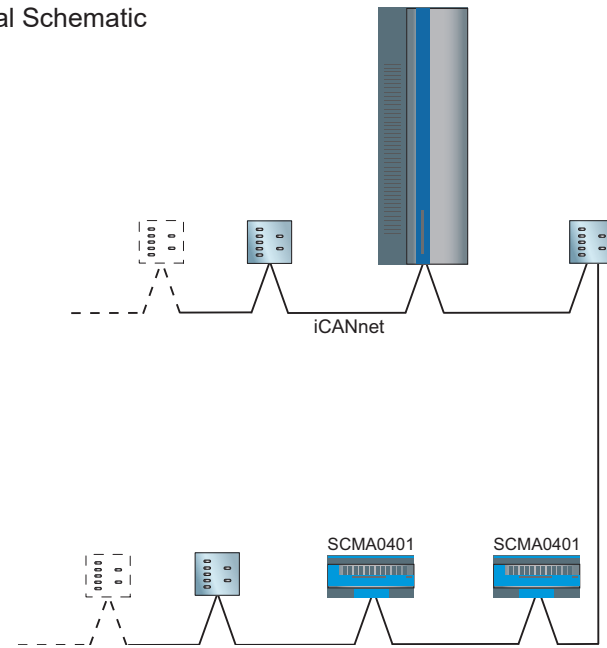


E&OE. iLight reserve the right to make changes to the equipment without prior notice. © Eaton

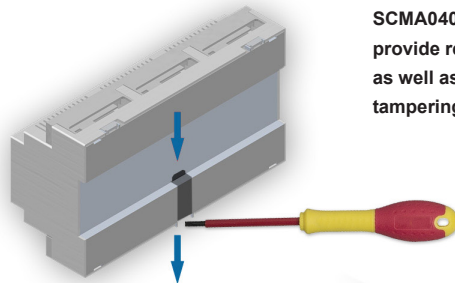
Document Number: 9850-000700-01



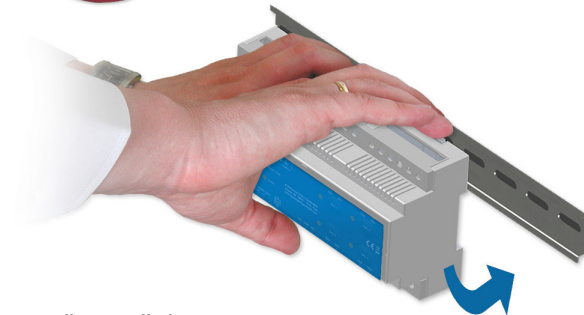
### Typical Schematic



### Mounting & Installation



**SCMA0401 must be mounted in a suitable enclosure to provide regulatory protection from electric shock hazard as well as protecting the iCANnet data network from tampering that could lead to reduced network security.**



**Ensure selected enclosure provides adequate cooling ventilation.**

### Technical Data

#### Electrical Data

Mains supply: 120 – 277V AC +/-10%, 50/60 Hz  
Unit rating: Maximum 4A single phase  
Mains supply protection: Provided by installer (6A Type C MCB recommended)  
Max Output channel current: 4 x 1A RMS or 2 x 2A RMS when channel pairing is used. No minimum load  
Note: Pairing combinations allowed (1+2) and/or (3+4) only  
CAN power consumption: 85mA  
Mains terminals: Maximum cable size 1 x 2.5mm<sup>2</sup>  
Channel terminals: Maximum cable size 1 x 2.5mm<sup>2</sup> or 2 x 1.5mm<sup>2</sup>

#### Mechanical Data

Dimensions: 159mm (w) x 89mm (h) x 60mm (d)  
Housing: DIN rail case; 9 module width  
Weight: 0.2kg  
IP rating: IP20

#### Operating Conditions

Operating temperature: +2°C to 50°C  
Relative humidity: 5% to 95% non-condensing  
Max Storage Temperature: +60°C

#### Software

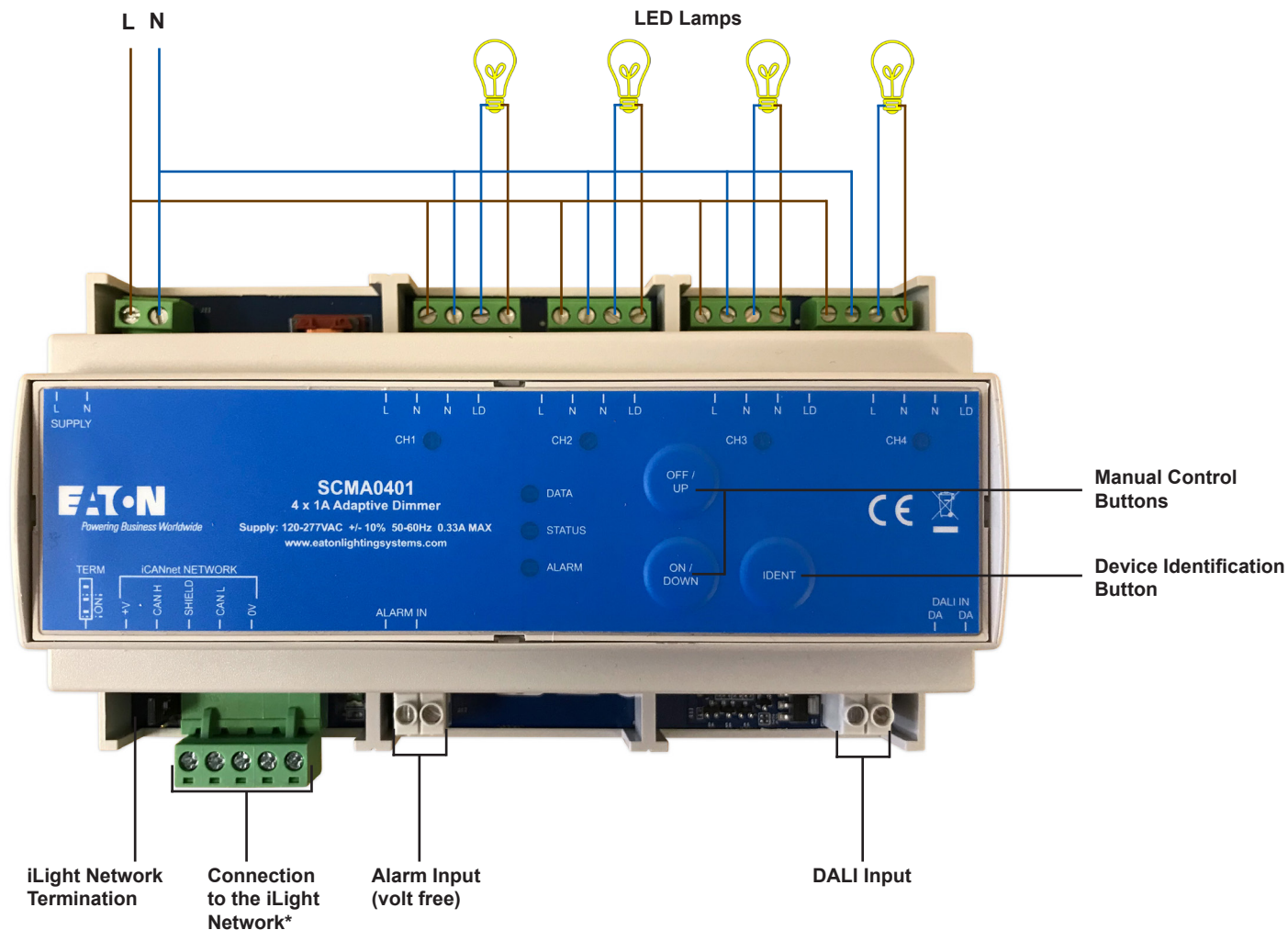
For programming SCMA0401, Device Editor v31.4.40 or later is required

# SCMA0401

4 Channel x 1A Adaptive Dimmer  
DINrail Mount

## Typical Connection Diagram

**Incoming Supply**  
**120 - 277V AC**  
Mains supply protection:  
Provided by installer (6A Type C  
MCB recommended)



### Device LEDs and Buttons

#### Status LED

Green LED flashes – device OK  
Green LED flashes rapidly - device under DALI control

#### Data LED

Red LED flashes when messages sent on network  
Red LED solid indicates iCANnet network error

#### Alarm LED

Red LED flashes ON for local initiated alarm  
Red LED solid for network initiated alarm

#### Device Identification

Press and release switch.  
Sending a message to identify the device on the network  
(red Data LED flashes)

#### Channel Output Status LEDs

LEDs turn on when the channel is > 0%  
LEDs turn off when the channel is 0%

#### Manual Control of Channel Outputs

By holding the IDENT button down for 5 seconds,  
manual control of each channel is enabled using the  
OFF/UP and ON / DOWN buttons.  
Once in manual mode, press the IDENT button to  
change channels. Exit manual control with a further 5  
second press of the IDENT button.

\* This unit does not output +V to the iLight network. Requires 85mA @ 15V DC  
either via pre-powered iLight network or from external PSU