

FR-3

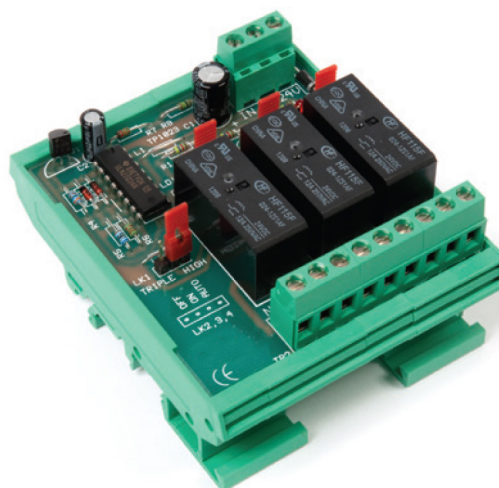
3 Stage Relay Control for HVAC systems

Specification

- Power Supply: 24V AC/DC +/-10%
- Input (Signal): 0-10V DC (load 0.5mA max)
- Output Contacts: 3 x Volt free 5A at 240V AC (inductive)
- Power Consumption: 90mA max
- Switching Volts: See table
- Selectable Options: - Heat / Cool or 3 Stage
- - Off / Man / Auto
- LED Indication: When relay energised
- Terminals: 1.0mm² recommended 2.5mm² max
- Operating Temperature: 0 to 50°C
- Dimensions: 82mm (H) x 66 mm (W) x 50mm (D)
- Compatible With: HVAC-1 controller

Order Code

FR-3: 3 Stage Relay Control



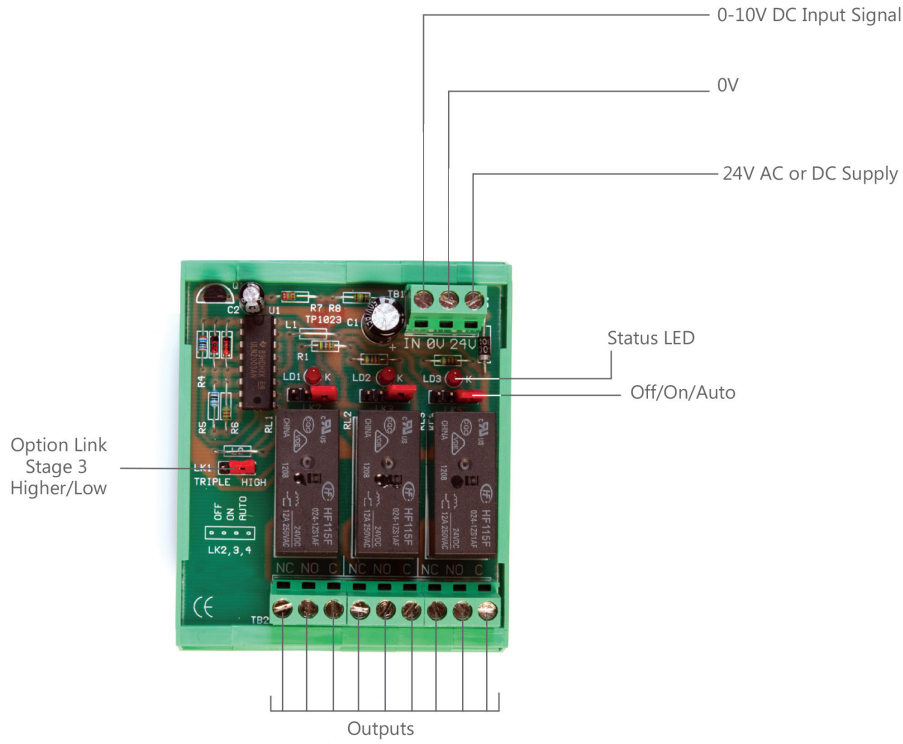
Overview

The FR-3 is used to convert an analogue 0-10V control signal to 3 stages of relay switching output. FR-3 offers two selectable control options:-

Option 1: Heat/Cool used to sequence control 3 functions such as FAN/COOL/HEAT

Option 2: Step control used to operate 3 stages of plant such as Boilers, Chillers, Electric Heating and particularly used for switching 3 speed fans.

Connections



Switching Volts

Switching Voltage	Heat Cool			3 Stage Control		
	R1	R2	R3	R1	R2	R3
0	Off	Off	Off	Off	Off	Off
3	On	On	Off	On	Off	Off
6	On	Off	Off	On	On	Off
9	On	Off	On	On	On	On

Contact Us

+44 (0)1923 495495

enquiries@iLight.co.uk

www.iLight.co.uk

Cooper Lighting Solutions
20 Greenhill Crescent,
Watford Business Park,
Watford, Herts, WD18 8JA. UK

Changes to the products, to the information contained in this document, and to prices are reserved; so are errors and omissions.

iLight is a registered trademark.

© 2020 Cooper Lighting Solutions
All Rights Reserved

All other trademarks are property of their respective owners.

FR-3 Rev4 0520