

# SCS1210

## 12 Channel 10 Amp Switched Relay Source Controller

### Key Features

- 12 x 10 Amp fully rated source controller
- Switches resistive, inductive and capacitive lighting loads
- Quiet operation
- 128 scene memory
- Multiple choice of circuit protection
- Security door for MCBs
- Optional RCBO per channel
- Fail to full safety feature
- iCAN network inputs
- DMX input option
- Audio Visual Port (RS485)
- Panic/Fire alarm input
- Configuration stored in Non Volatile EEPROM
- Firmware storage in reflashable FLASH memory over iCAN network
- CE compliant to all relevant standards
- Designed and manufactured to ISO9001:2015 standards

### Overview

This 12 channel high powered intelligent switching unit provides outstanding features and performance at a truly competitive price. It is fully rated for 40 Amps three phase of continuous inductive lighting load. This unit is designed for switching large lighting loads of most types. With a 128 scene integral memory this device offers multiple control options to meet the most demanding specifications.

With iLight's iCAN network connectivity, it has the capability of being linked with a virtually limitless number of other iLight products to build up to any size of system. This product is designed for projects where there are multiple channels of Architectural lighting. It is the perfect choice for shopping malls, atria exterior lighting and industrial areas.



## Mechanical Data

Weight: 9kg (D, RCBO & RCBOX - 10.5kg)

### Mains Cable Access:

12 x 25.5mm and 1 x PG29 knockouts

Control Cable Access: 1 x 25.5mm knockout

### Climate Range:

Temperature: +2°C to +40°C

Humidity: +5 to 95% non condensing

### Control Inputs:

Two sets of terminals for the iCANnet™ network

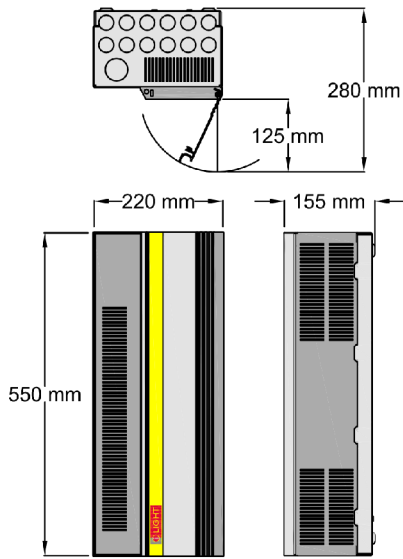
Suitable for Belden 1502

One RJ12 socket for programming the iCANnet™ network

One set of terminals for the Audio Visual Port, RS485

One set of terminals for the panic/fire alarm input

## Dimensions



SCS1210 D version - 690x220x155mm  
RCBO & RCBOX version - 550x255x155mm

## Electrical Data

Maximum Load: 40 Amp three phase @ 40°C

Maximum Channel Current: 10 Amp

Supply: 415/230 volts +/- 10% 50/60 Hz  
(optionally, 220/127 volt 60 Hz)

Protection: 10 Amp MCBs Type C, 6KA rated, Input isolator  
(except D version)

### Options

SCS1210S - Single pole with isolator

SCS1210N - Neutral with isolator

SCS1210D - Double Pole, no isolator

SCS1210RCBO - RCBO Breakers with isolator

SCS1210RCBOX - 12 x SP MCBs with isolator (For field fit of RCBOs)

### Load Types:

This unit is designed to work with most lighting load types.

Please consult with the iLight help desk for guidance on true load calculations. Care should be taken when specifying discharge lighting sources with power factor capacitors.

### Switched Outputs:

This device uses 12 x 230 volt 10A (Inductive and Resistive)

### Terminal Sizes:

Incoming supply, max' cable size: 10mm<sup>2</sup>

Loads, max' cable size: 1 x 4mm<sup>2</sup> or 2 x 2.5mm<sup>2</sup> per circuit

iCANnet™ network cable size: 5 x 1mm<sup>2</sup>

Audio Visual Port: RS485 2 x 1mm<sup>2</sup>

Panic/fire alarm input: 2 x 1mm<sup>2</sup>

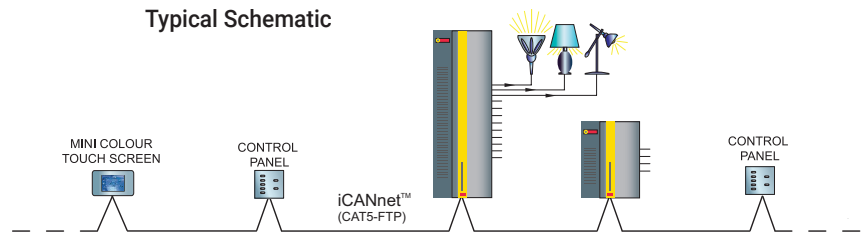
### Memory:

FLASH memory to be able to upgrade firmware

EEPROM for 128 scene memory

Other Switched Relay controllers: SCS0410, SCS0420, SCS1220, SCMS0410 and the SCMS0810.

## Typical Schematic



## Contact Us

+44 (0)1923 495495

enquiries@iLight.co.uk

www.iLight.co.uk

**Cooper Lighting Solutions**  
20 Greenhill Crescent,  
Watford Business Park,  
Watford, Herts, WD18 8JA. UK

Changes to the products, to the information contained in this document, and to prices are reserved; so are errors and omissions.

iLight is a registered trademark.

All other trademarks are property of their respective owners.