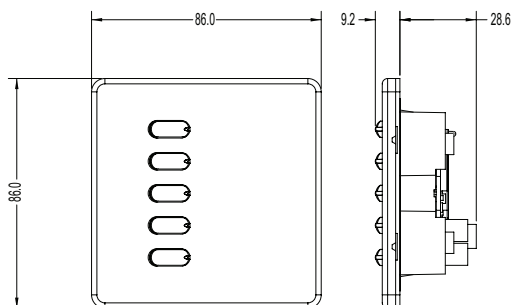


Introduction

The Classic DALI control plate provides complete control of pre-programmed lighting scenes within a DALI lighting control system. The adaptable design allows you to choose from a range of button combinations, which can be fitted and changed at any time. Where fitted, raise and lower buttons compliment the usual selection buttons to allow immediate changes to the intensity of any scene.

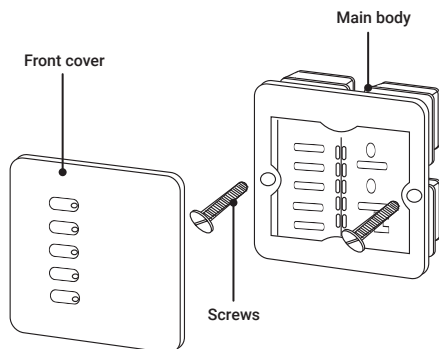
Dimensions



Fixing to a wallbox

Classic DALI Control Plate fits into standard single gang 47mm deep UK backbox. Backboxes available from iLight.

Use the screws provided to attach the plate to the backbox before clipping the front cover onto the assembly.

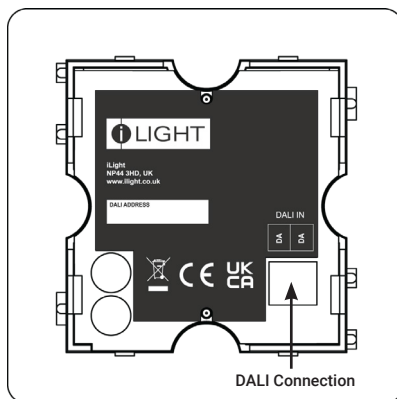


Control wiring

Classic DALI is provided with a 2 core polarity free terminal block to the rear for connecting to the DALI line.

Standard Recommended DALI cabling: 2-core cable of minimum gauge 1.5 mm².

The total cable distance: 300m.



Care and Maintenance

The front cover plate should only be cleaned gently with a clean, damp cloth. Abrasive cleaners, polishes, solvent based cleaning agents, or alkali based cleaners should not be used.

iLight Technical Support

Tel: +44 (0)844 324 9100 (available Mon-Fri 9am-5pm GMT)

Email: cctechsupport@signify.com

www.iLight.co.uk

All products manufactured by iLight are warranted to be free from defects in material and workmanship and shall conform to and perform in accordance with Seller's written specifications. This warranty will be limited to the repair or replacement, at Seller's discretion, of any such goods found to be defective, upon their authorized return to Seller. This limited warranty does not apply if the goods have been damaged by accident, abuse, misuse, modification or misapplication, by damage during shipment or by improper service.

There are no warranties, which extend beyond the hereinabove-limited warranty, INCLUDING, BUT NOT LIMITED TO, THE IMPLIED WARRANTY OF MERCHANTABILITY AND THE IMPLIED WARRANTY OF FITNESS.

No employee, agent, dealer, or other person is authorised to give any warranties on behalf of the Seller or to assume for the Seller any other liability in connection with any of its goods except in writing and signed by the Seller. The Seller makes no representation that the goods comply with any present or future federal, state or local regulation or ordinance. Compliance is the Buyer's responsibility.

The use of the Seller's goods should be in accordance with the provision of the National Electrical Code, UL and/or other industry or military standards that are pertinent to the particular end use. Installation or use not in accordance with these codes and standards could be hazardous.



iLight

Usk House, Lakeside, Llantarnam Park,

Cwmbran, NP44 3HD, UK

t: +44 (0)1923 495495 e: enquiries@ilight.co.uk

www.ilight.co.uk