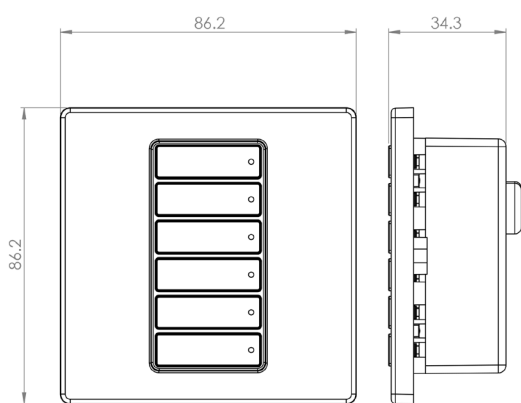


Introduction

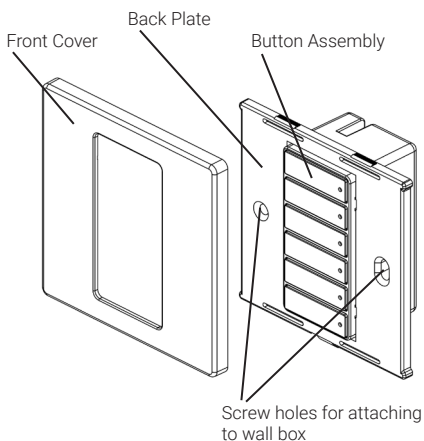
The Ineo control plate provides sleek appearance combined with complete control and flexibility. The adaptable design allows you to choose from a range of button combinations, which can be fitted and changed at any time. Where fitted, raise and lower buttons compliment the usual selection buttons to allow immediate changes to the intensity of any scene.

All control signals are transmitted to the source controller(s) using iCANnet connections.

Dimensions



Supplied parts



Fixing to a wallbox

The Ineo control plate fits into a single gang UK style wall box with a minimum internal depth of 47mm.

With the control plate disassembled (see above), use the two supplied long screws to secure the back plate to the wall box.

Care and Maintenance

The front cover plate should only be cleaned gently with a clean, damp cloth. Abrasive cleaners, polishes, solvent based cleaning agents, or alkali based cleaners should not be used.

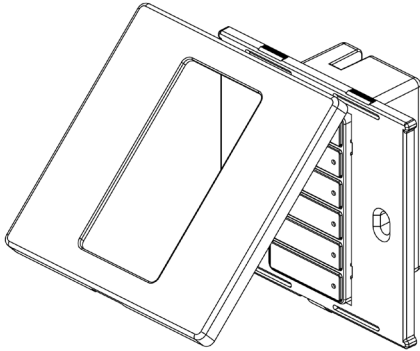
Ambient atmosphere requirements

Temperature: 32°F to 104°F (0°C to +40°C)

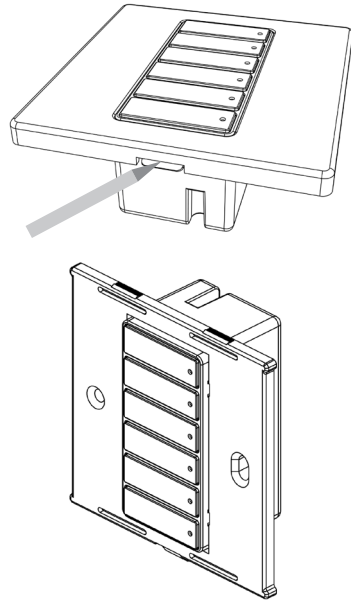
Humidity: 0 to 95% non-condensing

Removing Face Plate from the Ineo Control Plate

1. On the underside of the face plate, beneath the lower buttons, locate the small central recess. Carefully insert a small implement (such as a pen or screwdriver) into the recess and lever the front cover gently away from the back plate.



2. Unclip the face plate from the back plate.

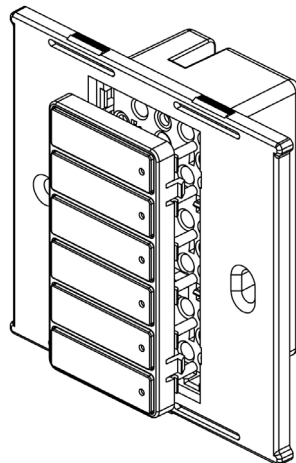


3. Store face plate safe from damage.

Changing Buttons

The Ineo control plate allows you to change the buttons in order to customize its appearance.

1. Remove the face plate as illustrated.
2. Locate the four clips (two on each side) of the button frame. Carefully press in all four clips to disengage the button frame and pull the frame away from the main body.
3. You can now remove the buttons from the frame and replace them (and the frame), as necessary.
4. With the new buttons in place within the frame, align its clips with the four holes of the main body and press it into place so that all four clips click as they lock.



Control Wiring

Cable connections are made to a removable 5-way connector block located at the rear of the Ineo Control Plate main body.

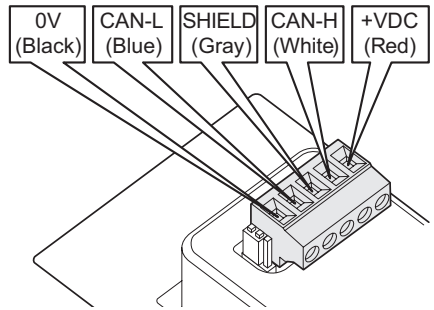
Recommended cable type: iCANnet Cable

Maximum segment distance: 500m (1640 ft)

Devices per segment: 100 (without bridge or repeater)

Additional power supplies may be required.

Consult iLight for information on alternative cable types.



Network Power Requirements

Nominal operating voltage: 15V (12-18V)

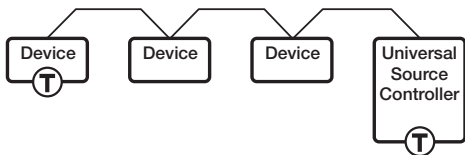
Nominal operating current: 33mA

IMPORTANT NOTE: Connecting a mains potential cable to the iCAN Network terminals is likely to damage the unit and other devices connected, and invalidate warranty.

Function	iCANnet Cable Colour
0V	Black
CAN L	Blue
Shield	Silver
CAN H	White
+VDC	Red

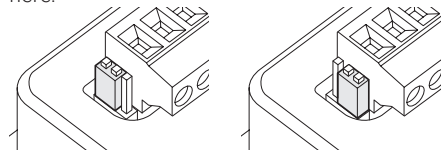
Termination

iCANnet link is a 'daisy chain' protocol that requires termination on the devices located at either end of the chain.



The Ineo control plate is supplied with termination enabled as standard. If the Ineo control plate is not connected as an end device in the chain, you need to disable termination.

To disable termination, move the jumper from the upper two pins to the lower two pins, as shown here:



Scene Selection

To select a scene press one of the buttons identified by either a number, indicated by a specific legend or that is blank.

To turn lights off press the button marked Off or O on button only panels or the light bulb symbol on control panels fitted with the 'On, Off, Raise and Lower' button set.

To raise the level of scene press **▲**(when fitted).

To lower the level of scene press **▼**(when fitted).



Control panel fitted with 'On, Off, Raise, Lower' button set



'Scene Only' control panel example

iLight Technical Support

Tel: +44 (0)844 324 9100
(available Mon-Fri 9am-5pm GMT)

Email: cctechsupport@signify.com

www.iLight.co.uk

EU Authorised Representative

Cooper Lighting Netherlands B.V.
High Tech Campus
HTC 48
Eindhoven
5656 AE

E&OE. iLight reserve the right to make changes to the equipment without prior notice.
© Signify Holding

All products manufactured by iLight are warranted to be free from defects in material and workmanship and shall conform to and perform in accordance with Seller's written specifications.

This warranty will be limited to the repair or replacement, at Seller's discretion, of any such goods found to be defective, upon their authorized return to Seller. This limited warranty does not apply if the goods have been damaged by accident, abuse, misuse, modification or misapplication, by damage during shipment or by improper service.

There are no warranties, which extend beyond the hereinabove-limited warranty, INCLUDING, BUT NOT LIMITED TO, THE IMPLIED WARRANTY OF MERCHANTABILITY AND THE IMPLIED WARRANTY OF FITNESS.

No employee, agent, dealer, or other person is authorised to give any warranties on behalf of the Seller or to assume for the Seller any other liability in connection with any of its goods except in writing and signed by the Seller. The Seller makes no representation that the goods comply with any present or future federal, state or local regulation or ordinance. Compliance is the Buyer's responsibility.

The use of the Seller's goods should be in accordance with the provision of the National Electrical Code, UL and/or other industry or military standards that are pertinent to the particular end use. Installation or use not in accordance with these codes and standards could be hazardous.



iLight

Usk House, Lakeside, Llantarnam Park,
Cwmbran, NP44 3HD, UK
t: +44 (0)1923 495495 e: enquiries@ilight.co.uk
www.ilight.co.uk

Document: 9850-000933-01