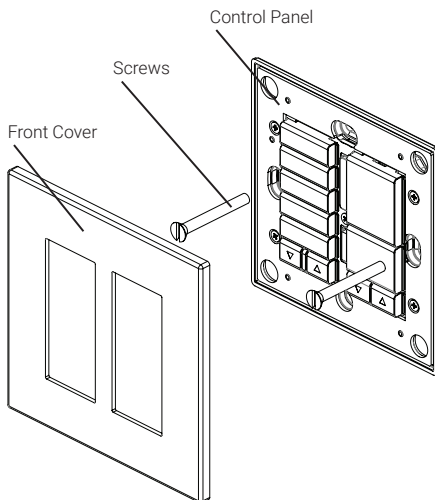


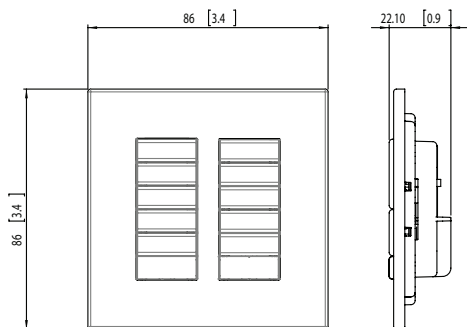
Introduction

The Sencia Control Panel from Cooper Controls provides an elegant and flexible solution for control of lighting systems. The adaptable design allows you to choose from a range of button combinations, which can be fitted and changed at any time. Where fitted, raise and lower buttons compliment the usual selection buttons to allow immediate changes to the intensity of any scene.

The Sencia Control Panel is connected to the source controllers using an iCANnet connection on the rear of the panel.



Dimensions



Fixing to a wallbox

The Sencia Control Panel fits into standard single gang 47mm deep UK backbox. Backboxes available from Cooper Controls.

Use the screws provided to attach the panel to the backbox assembly. Supplied with the product is a decorators shield that can be installed at this stage to protect against paint and dust ingress during installation. With the shield in place there is still full button functionality.

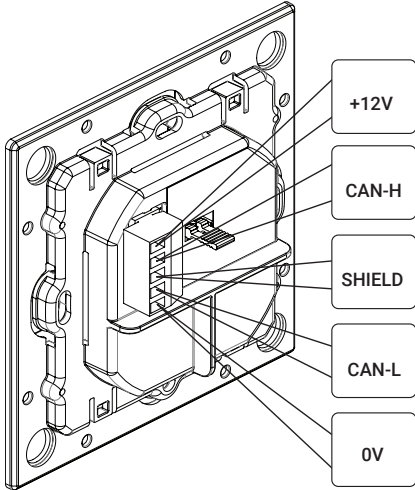
Once ready, the decorators shield can simply be torn off (the sections around the screws will tear away easily) and the front cover can then be clipped on to complete installation.

Control wiring

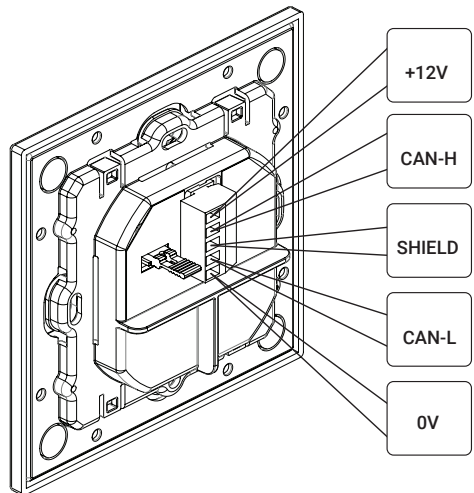
The Sencia Control Panel uses iCANnet connections to ensure reliable and responsive transfer of control signals between multiple devices.

Cable connections are made to a removable 5-way connector block located at the rear of the Sencia Control Panel main body:

Single Column Buttons



Double Column Buttons



The following cable strategies may be used for wiring the iCAN network.

It is not recommended to mix cable types in a single installation.

Use iCANnet cable to maximise network runs up to 1000m without a bridge/repeater.

Cable type: Belden 1502R or 1502P

Maximum cable length: 1000m (3275 ft.)

Devices per segment: 100 (without bridge or repeater)

Use CAT5 FTP for economy and wide availability, but there are tighter limitations on the network run without a bridge/repeater.

Cable type: CAT 5 FTP

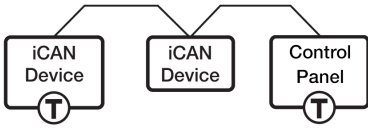
Maximum cable length: 305m (1000 ft.)

Devices per segment: 100 (without bridge or repeater)

Function	iCANnet Cable Colour	Equivalent CAT5/6 Colour
0V	Black	Green pair
CAN L	White	Blue
Shield	Silver	Brown pair
CAN H	Blue	Blue/white
+12Vdc	Red	Orange pair

Termination

The iCANnet link is a 'daisy chain' protocol that requires termination on the device located at either end of the chain.

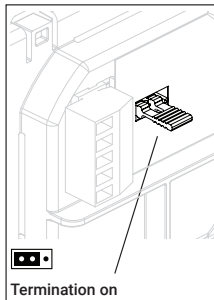
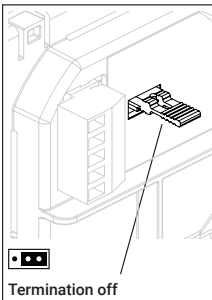


T - Indicates where a termination is required.

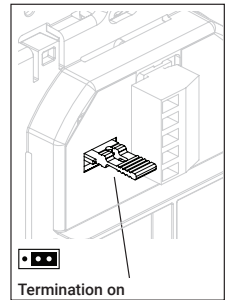
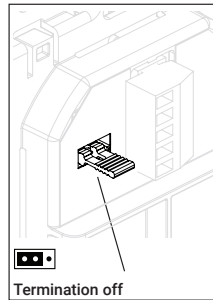
The Sencia Control Panel is supplied with termination disabled as standard. If the Sencia Control Panel is connected as an end device in the chain, you will need to enable termination.

To enable termination, move the jumper to the appropriate two pins as shown here:

Single Column Buttons



Double Column Buttons



Button Configuration

It is possible to modify the button configuration to suit different front panels by moving button caps to any of the 12 available positions (6 on single row). To remove, pull the button cap gently away from the button actuator. To replace, push into the actuator cavity ensuring that the moulded key in the cap aligns with the actuator slot.

Care and Maintenance

The front cover plate should only be cleaned gently with a clean, damp cloth. Abrasive cleaners, polishes, solvent based cleaning agents, or alkali based cleaners should not be used.

Scene Selection

To select a scene press one of the buttons identified by either a number, indicated by a specific legend or that is blank.

To turn lights off press the button marked Off or 0.

To raise the level of scene press **▲**(when fitted).

To lower the level of scene press **▼**(when fitted).

iLight Technical Support

Tel: +44 (0)844 324 9100 (available Mon-Fri 9am-5pm GMT)

Email: ctechsupport@cooperlighting.com

Web: www.iLight.co.uk

All products manufactured by Cooper Lighting Solutions and identified with the iLight product series mark are warranted to be free from defects in material and workmanship and shall conform to and perform in accordance with Seller's written specifications. For detailed warranty information, contact Cooper Lighting Solutions.

This warranty will be limited to the repair or replacement, at Seller's discretion, of any such goods found to be defective, upon their authorized return to Seller. This limited warranty does not apply if the goods have been damaged by accident, abuse, misuse, modification or misapplication, by damage during shipment or by improper service.

There are no warranties, which extend beyond the hereinabove-limited warranty, INCLUDING, BUT NOT LIMITED TO, THE IMPLIED WARRANTY OF MERCHANTABILITY AND THE IMPLIED WARRANTY OF FITNESS.

No employee, agent, dealer, or other person is authorised to give any warranties on behalf of the Seller or to assume for the Seller any other liability in connection with any of its goods except in writing and signed by the Seller. The Seller makes no representation that the goods comply with any present or future federal, state or local regulation or ordinance. Compliance is the Buyer's responsibility.

The use of the Seller's goods should be in accordance with the provision of the National Electrical Code, UL and/or other industry or military standards that are pertinent to the particular end use. Installation or use not in accordance with these codes and standards could be hazardous.



Cooper Lighting Solutions

Usk House, Lakeside, Llantarnam Park,

Cwmbran, NP44 3HD, UK

t: +44 (0)1923 495495 e: info@cooperlighting.co.uk

www.cooperlighting.co.uk

Document: SENCIA 9850-000379-03