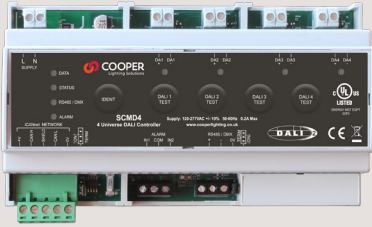


Installation Guide

SCMD4

4 Universe Addressable DALI-2 Controller



Cooper Lighting Solutions

UK
 Usk House, Lakeside, Llantarnam Park,
 Cwmbran, NP44 3HD, UK
 t: +44 (0)1923 495495
 e: info@cooperlighting.co.uk
 www.cooperlighting.co.uk

US
 1121 Highway 74 South
 Peachtree City, GA 30269
 www.cooperlighting.com
 P: 1-800-553-3879

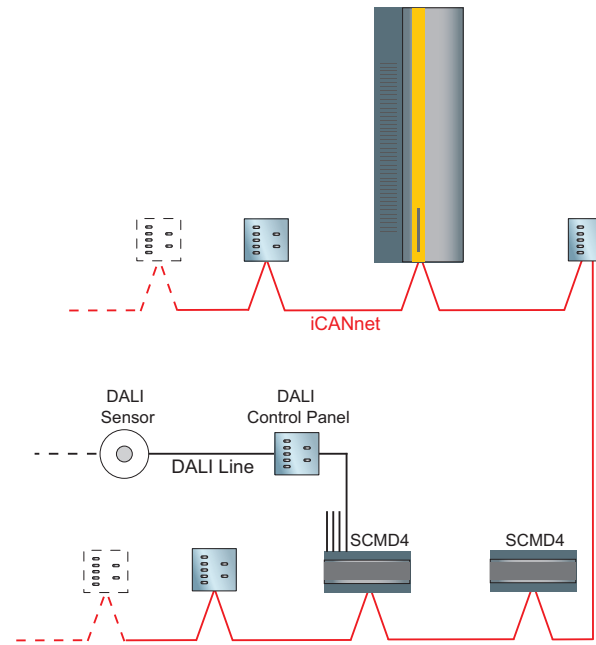
Canada
 5925 McLaughlin Road
 Mississauga, Ontario L5R 1B8
 P: 905-501-3000
 F: 905-501-3172

E&OE. Cooper Lighting Solutions
 reserve the right to make changes to
 the equipment without prior notice.
 © Cooper Lighting Solutions

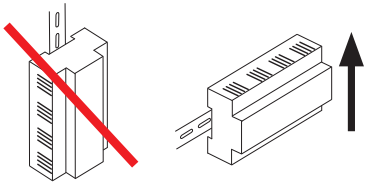
Doc No: 9850-000767-01



Typical Schematic



Mounting & Installation

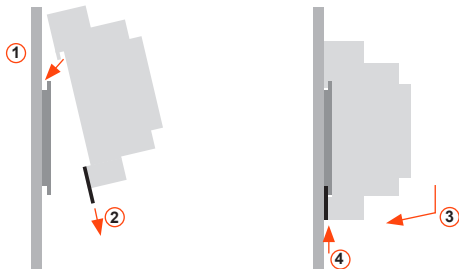


SCMD4 must be mounted in a suitable enclosure to provide regulatory protection from electric shock hazard as well as protecting the iCANnet data network from tampering that could lead to reduced network security.

Ensure selected enclosure provides adequate cooling ventilation.

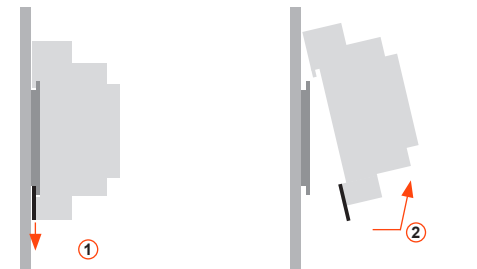
Fixing to DIN rail

1. Fix top clips over DIN rail.
2. Pull down bottom clip using screwdriver.
3. Close module towards DIN rail.
4. Push up bottom clip to fix securely to DIN rail.



Removing from DIN rail

1. Pull down bottom clip with screwdriver.
2. Lift module away from DIN rail.



Technical Data

Electrical Data

Supply: 120 - 277VAC +/- 10%, 50/60 Hz, 0.2A Max
 Terminals max. wire size: 2.5mm²
 Switch inputs: 2, configurable as break or make, max wire size 2.5mm²
 iCANnet™ inputs/output: Screw terminals
 iCANnet™ output current: 300mA Max @ nominal 15V
 DALI output screw terminals: Max wire size 2.5mm²
 DALI signal: Nominal 16V, max current 250mA supplies to each universe.
 Guaranteed minimum current: 245mA.
 Short circuit protection in accordance with section 6.6.2 of IEC FDIS 62386-101.
 DMX signal: Addressable in Device Editor, DMX512-A
 Terminals max wire size: 1 x 2.5mm² or 2 x 1.5mm² per circuit
 Protection: Provided by installer

Mechanical Data

Dimensions: 159mm (w) x 89mm (h) x 60mm (d) (6.26" x 3.5" x 2.36")
 Housing: DIN rail case; 9 module width
 Weight: 0.35kg (0.77lb)
 IP rating: IP20

Operating Conditions

Operating temperature: +2°C to 50°C
 Relative humidity: 5% to 95% non-condensing
 Max Storage Temperature: +60°C

SCMD4

4 Universe Addressable DALI-2 Controller

Device LEDs and Buttons

Status LED

Green LED flashes – device OK

Data LED

Red LED flashes when messages sent on network

Alarm LED

Red LED solid on for local initiated alarm
Red LED flashes for network initiated alarm

RS485 / DMX LED

Green LED flashes when DMX or RS485 messages are sent or received

Device Identification

Press and release switch.
Sending a message to identify the device on the network (red Data LED flashes).

DALI LEDs

Yellow LED flashes when messages sent on DALI bus
Yellow LED solid on - short circuit on DALI bus

DALI Universe Test Buttons

10 second press to enter Test mode
Sequential presses Broadcast all on all off
10 second press to exit Test mode.

iCAN Network Connections

Function	iCANnet Cable Colours
0V	Black
CAN L	Blue
Shield	Silver
CAN H	White
+VDC	Red

Maximum segment distance: 500m (1640 ft)
Devices per segment: 100 (without bridge or repeater)
Consult iLight for information on alternative cable types.

IMPORTANT NOTE: Connecting a mains potential cable to the iCAN Network terminals is likley to damage the unit and other devices connected, and invalidate warranty.

Typical Connection Diagram

Incoming Supply
120 - 277VAC

Mains supply protection:
Provided by installer (6A Type C MCB recommended)

