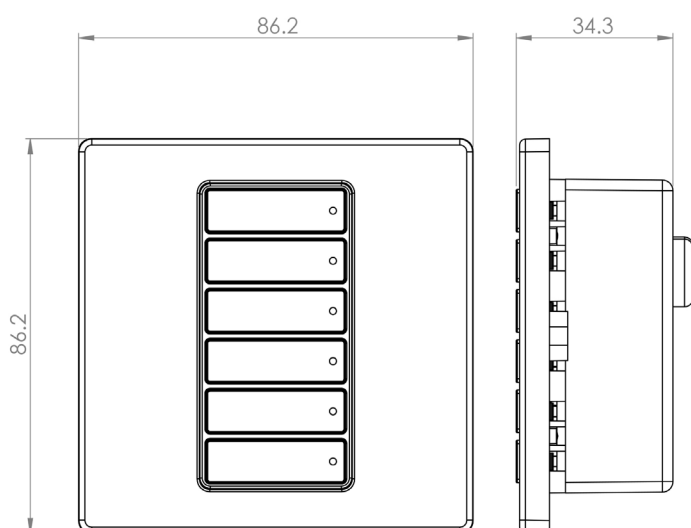


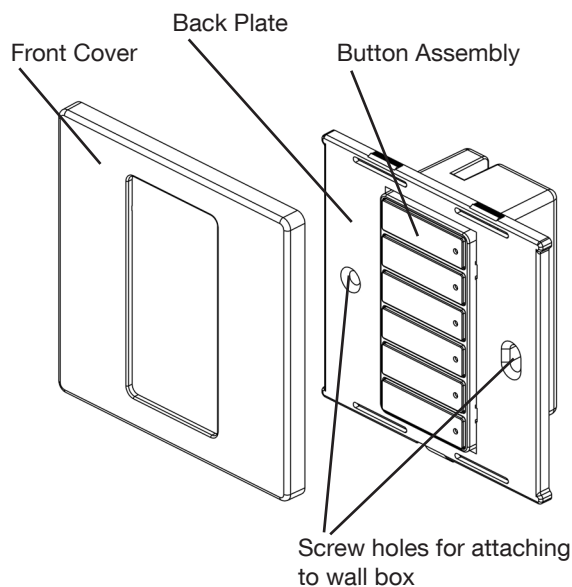
Introduction

The DALI control panel provides complete control of pre-programmed lighting scenes within a DALI lighting control system. The adaptable design allows you to choose from a range of button combinations, which can be fitted and changed at any time. Where fitted, raise and lower buttons compliment the usual selection buttons to allow immediate changes to the intensity of any scene.

Dimensions



Supplied parts



Fixing to a wallbox

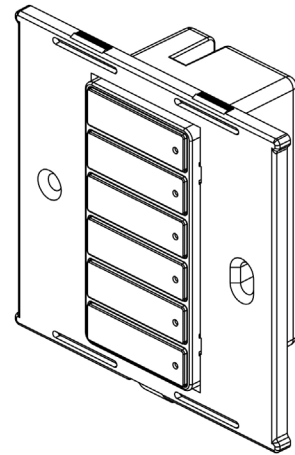
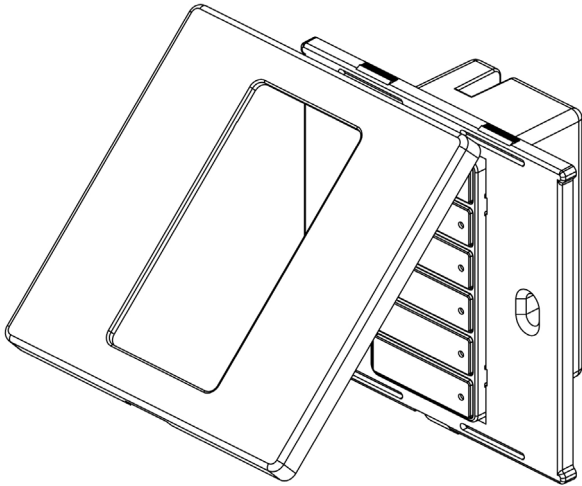
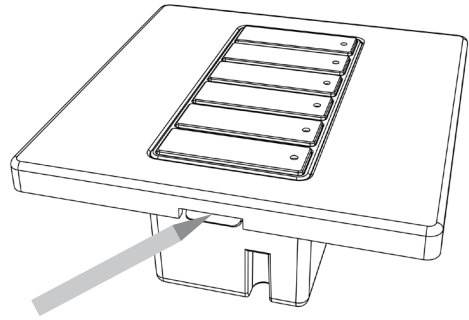
The DALI control panel fits into a single gang UK style wall box with a minimum internal depth of 47mm.

With control panel disassembled (see above), use the two supplied long screws to secure the back plate to the wall box.

Removing Face Plate from the DALI Control Panel

1. On the underside of the face plate, beneath the lower buttons, locate the small central recess. Carefully insert a small implement (such as a pen or screwdriver) into the recess and lever the front cover gently away from the back plate.

2. Unclip the face plate from the back plate.



3. Store face plate safe from damage.

Changing buttons

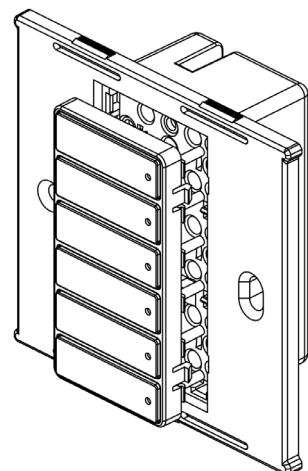
The DALI control panel allows you to change the buttons in order to customize its appearance.

1. Remove the face plate as illustrated.

2. Locate the four clips (two on each side) of the button frame. Carefully press in all four clips to disengage the button frame and pull the frame away from the main body.

3. You can now remove the buttons from the frame and replace them (and the frame), as necessary.

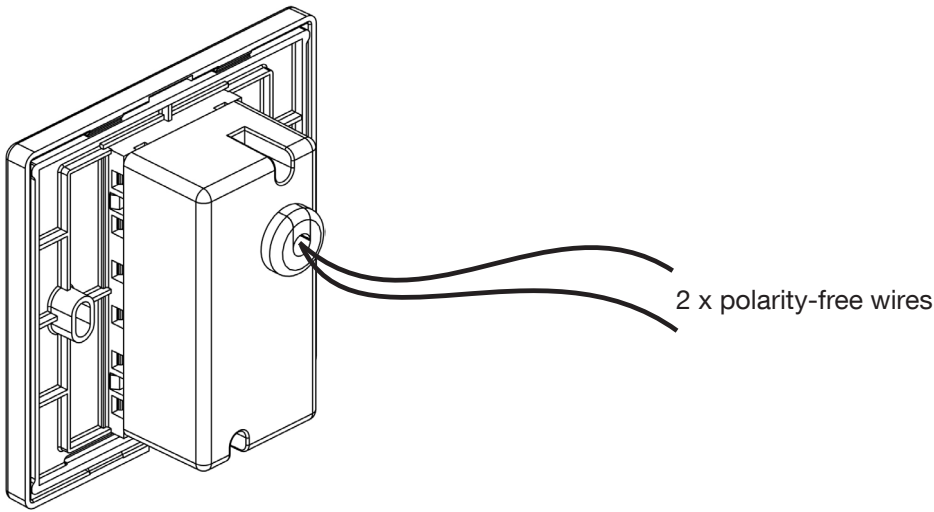
4. With the new buttons in place within the frame, align its clips with the four holes of the main body and press it into place so that all four clips click as they lock.



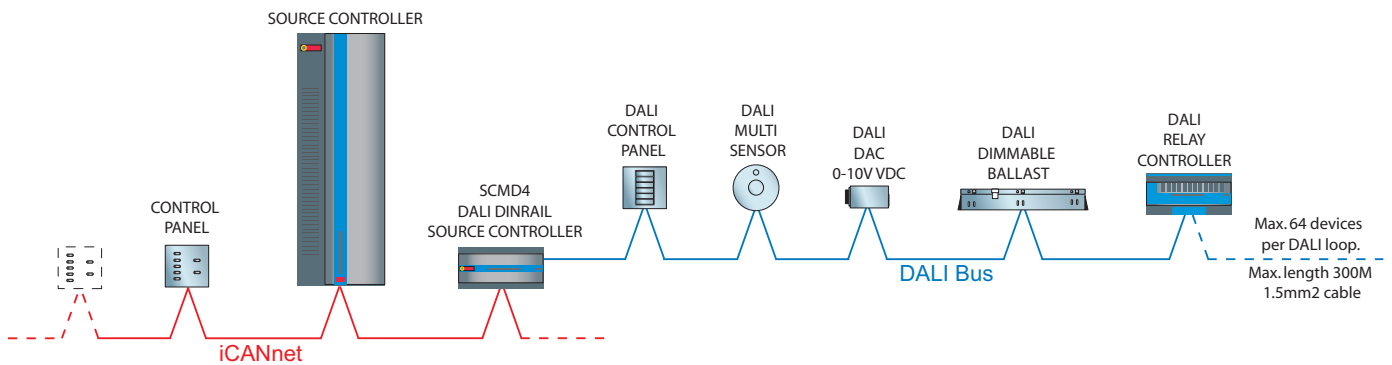
Powering Business Worldwide

Control wiring

The DALI Control Panel is provided with 2 x polarity-free wires used to connect to the DALI line.
 Standard Recommended DALI cabling: 2-core cable of minimum gauge 1.5 mm².
 The total cable distance: 300m.



Typical DALI line schematic



Scene Selection

To select a scene press one of the buttons identified by either a number, indicated by a specific legend or that is blank.

To turn lights off press the button marked Off or O on button only panels or the light bulb symbol on control panels fitted with the 'On, Off, Raise and Lower' button set.

To raise the level of scene press ^ (when fitted).

To lower the level of scene press v (when fitted).



Control panel fitted with 'On, Off, Raise, Lower' button set

'Scene Only' control panel example

Care and Maintenance

The front cover plate should only be cleaned gently with a clean, damp cloth. Abrasive cleaners, polishes, solvent based cleaning agents, or alkali based cleaners should not be used.



Powering Business Worldwide

DALI Control Panel

Installation guide



iLight Series

Eaton Lighting Systems

20 Greenhill Crescent, Watford Business Park

Watford, Herts, WD18 8JA. UK

T: +44 (0)1923 495496

F: +44 (0)1923 228796

www.iLight.co.uk

Technical Support

For technical support contact your local installer or distributor

T: +44 (0)844 32 49 100

E: ilightsupport@cooperindustries.com

All products manufactured by Cooper Controls Ltd and identified with the iLight brand are warranted to be free from defects in material and workmanship and shall conform to and perform in accordance with Seller's written specifications.

For detailed warranty information, visit our website at www.coopercontrol.com

This warranty will be limited to the repair or replacement, at Seller's discretion, of any such goods found to be defective, upon their authorised return to Seller. This limited warranty does not apply if the goods have been damaged by accident, abuse, misuse, modification or misapplication, by damage during shipment or by improper service.

There are no warranties, which extend beyond the hereinabove-limited warranty, INCLUDING, BUT NOT LIMITED TO, THE IMPLIED WARRANTY OF MERCHANTABILITY AND THE IMPLIED WARRANTY OF FITNESS.

No employee, agent, dealer, or other person is authorized to give any warranties on behalf of the Seller or to assume for the Seller any other liability in connection with any of its goods except in writing and signed by the Seller. The Seller makes no representation that the goods comply with any present or future federal, state or local regulation or ordinance. Compliance is the Buyer's responsibility.

The use of the Seller's goods should be in accordance with the provision of the National Electrical Code, UL and/or other industry or military standards that are pertinent to the particular end use. Installation or use not in accordance with these codes and standards could be hazardous.

International Headquarters

Usk House, Lakeside, Llantarnam Park,

Cwmbran, NP44 3HD. UK

T: +44 (0)1923 495495

F: +44 (0)1633 867880

www.eatonlightingsystems.com

lightingcontrolsolutions@eaton.com



CE compliant to all relevant standards



Powering Business Worldwide