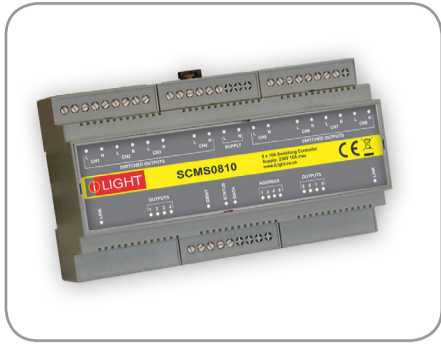


Installation Guide



8 x 10A Switching Controller
SCMS0810

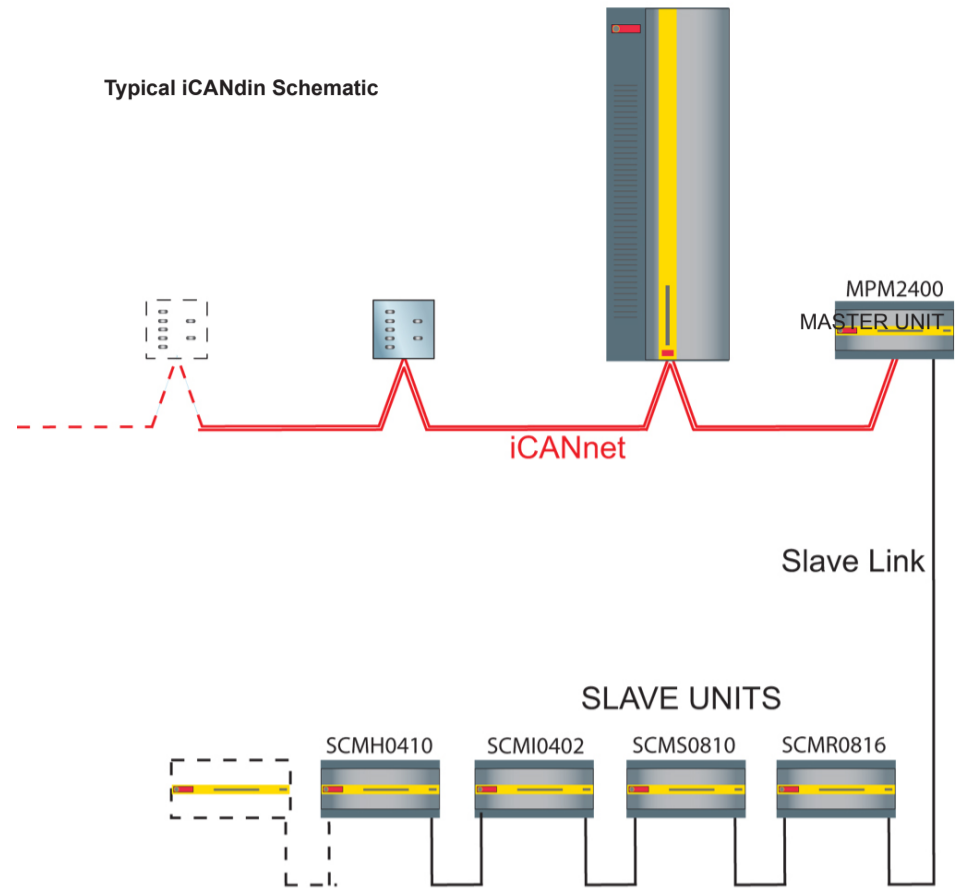


iLight
Unit 4 Enterprise Centre
Penshurst, Tonbridge
Kent, TN11 8BG. UK
Tel: +44 (0)1892 870072
Fax: +44 (0)1892 870074
Email: tech.support@iLight.co.uk
www.iLight.co.uk

IM8266 - Issue 4. E&OE. iLight reserve the right to make changes to the equipment without prior notice. iLight is a trading name of Cooper Controls Ltd © Cooper Controls Ltd 2008.

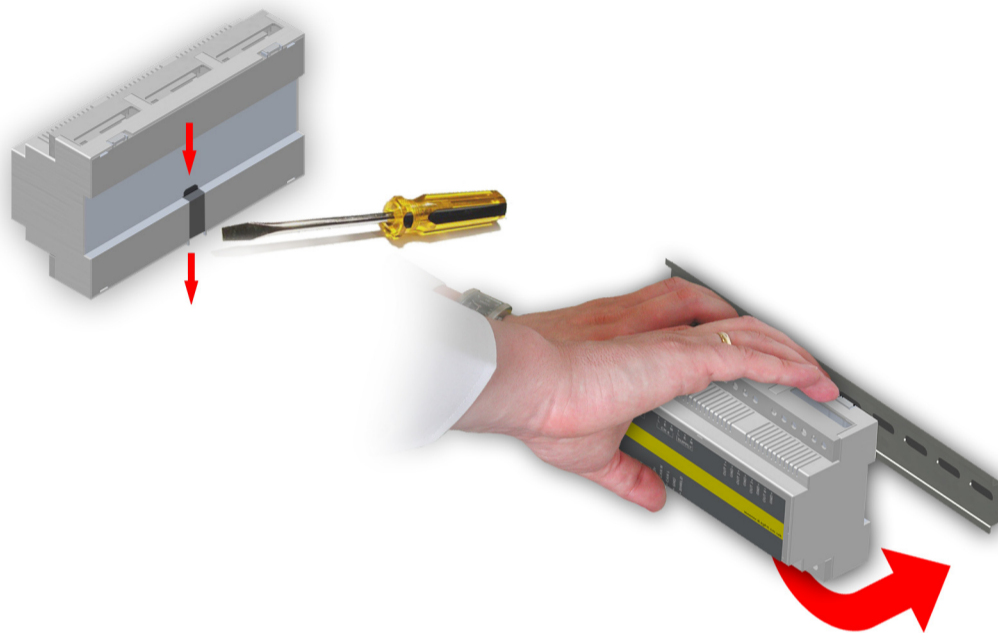


Typical iCANdin Schematic



1 Mounting

EN Always mount in well ventilated location



2

EN

Electrical & Mechanical
Supply: 230VAC +/- 10%, 50/60 Hz
Incoming terminals: maximum cable size: 2.5mm²
Rating: Maximum 16A single phase @ 40°C
Protection: Provided by installer
Output channel current: Maximum 10A
Switched outputs: 8 x 230VAC 10A (inductive or resistive).
Before connecting discharge lamps consult the iLight help desk.

Communications
Slave Link Connections:
Use cable supplied with unit. See diagram for installation
Terminal Sizes:
Loads - maximum cable size: 1 x 2.5mm² or 2 x 1.5mm² per circuit

Safety
Ambient temperature: 2°C – 40°C
Relative humidity: 5% - 95% max, non-condensing
IP rating: IP20
Installation: Installation must be carried out by a suitably qualified electrician

FR

DE

NL

ES

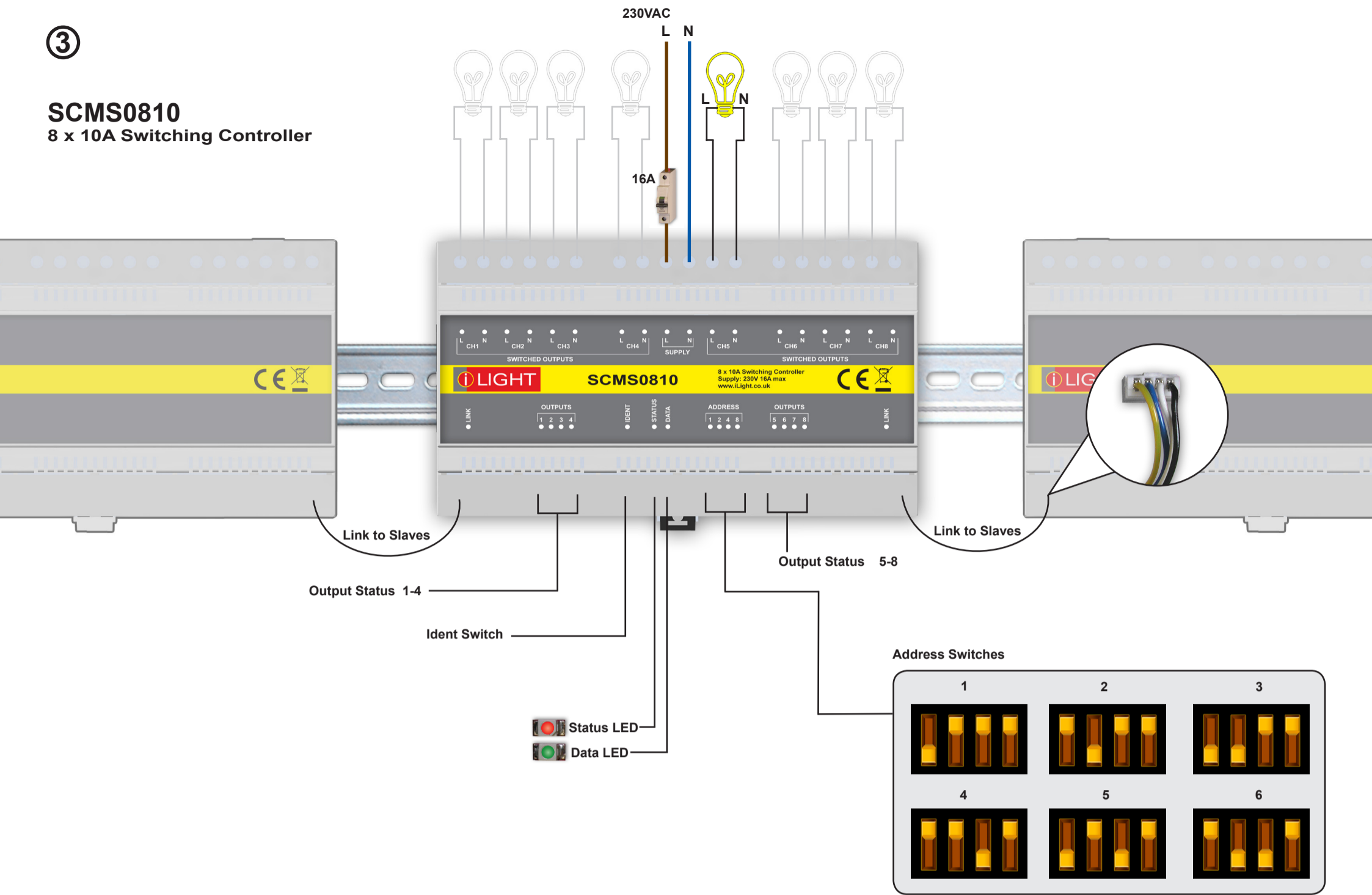
IT

FI

SV

③

SCMS0810
8 x 10A Switching Controller



④ Programming

EN

Ident Switch and LEDs

Normal Running Mode
Green LED flashes – device OK
Red LED flashes when messages sent on network.

Device Identification
Press and release switch.
Sending a message to identify the device on the network (red LED flashes).

Entering Override Mode
Press and hold switch for 10 seconds.
When in Override mode the green LED flashes twice as fast and the red LED shows the output state. ie red LED off denotes all outputs off, red LED on denotes all output on.

Override Mode
Short of push of switch - all circuits on.
Short of push of switch - all circuits off.

Exiting Override Mode
Press and hold switch for 10 seconds or cycle power.
Green LED flashes.

Output LEDs
Signify output status of relays - on/off

FR

DE

NL

ES

IT

FI

SV