

**DALI Controller
SCMD6400**



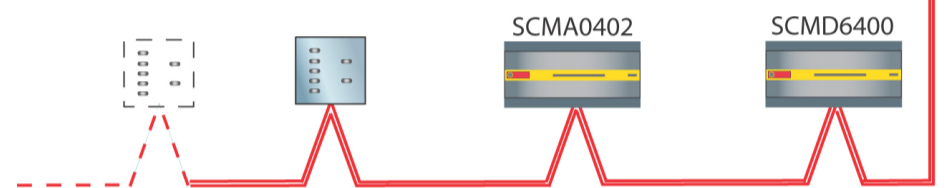
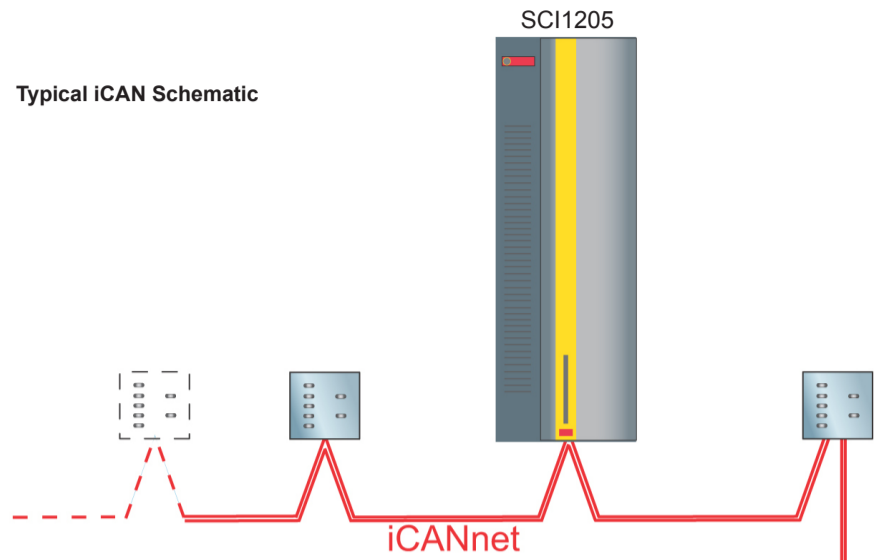
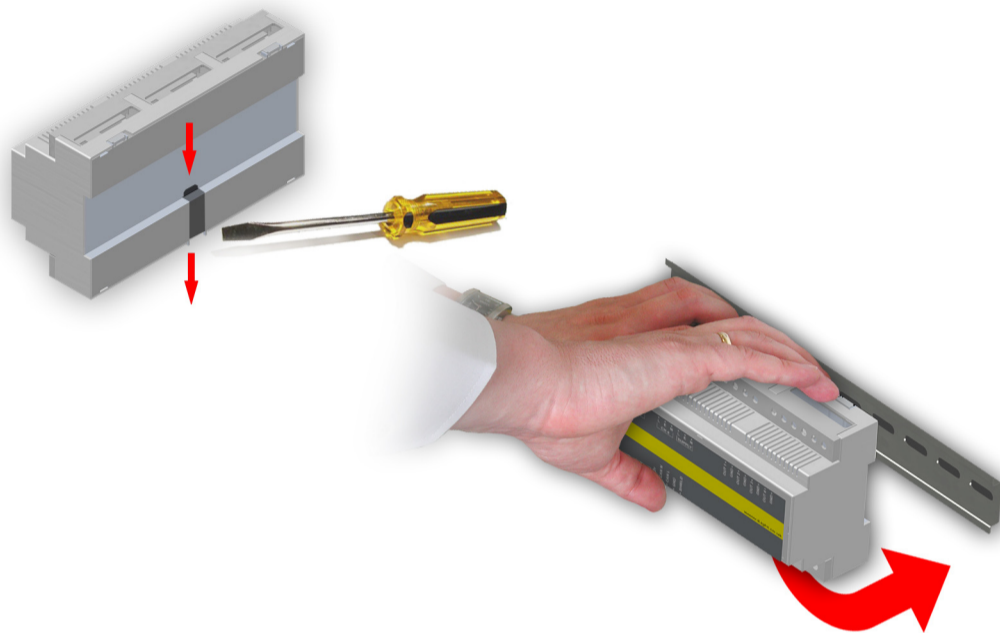
iLight
Unit 4 Enterprise Centre
Penshurst, Tonbridge
Kent, TN11 8BG. UK
Tel: +44 (0)1892 870072
Fax: +44 (0)1892 870074
Email: tech.support@iLight.co.uk
www.iLight.co.uk

IM8267 - Issue 4. E&OE. iLight reserve the right to make changes to the equipment without prior notice. iLight is a trading name of Cooper Controls Ltd © Cooper Controls Ltd 2008.



1 Mounting

EN Always mount in well ventilated location



2

EN

Electrical & Mechanical
Supply: 230VAC +/- 10%, 50/60 Hz
Incoming terminals: Maximum cable size: 2.5mm²
Rating: Maximum 16A single phase @ 40°C
Protection: Provided by installer

Communications
Cable specification: Cat 5 (100 MHz) FTP terminated with RJ45 connectors.
DALI connection: Max cable: 2.5mm²
Maximum of 64 ballasts in 16 groups
Switch outputs: Max cable: 1.5mm²

Safety
Ambient temperature: 2°C – 40°C
Relative humidity: 5% - 95% max, non-condensing
IP rating: IP20
Installation: Installation must be carried out by a suitably qualified electrician

FR

DE

NL

ES

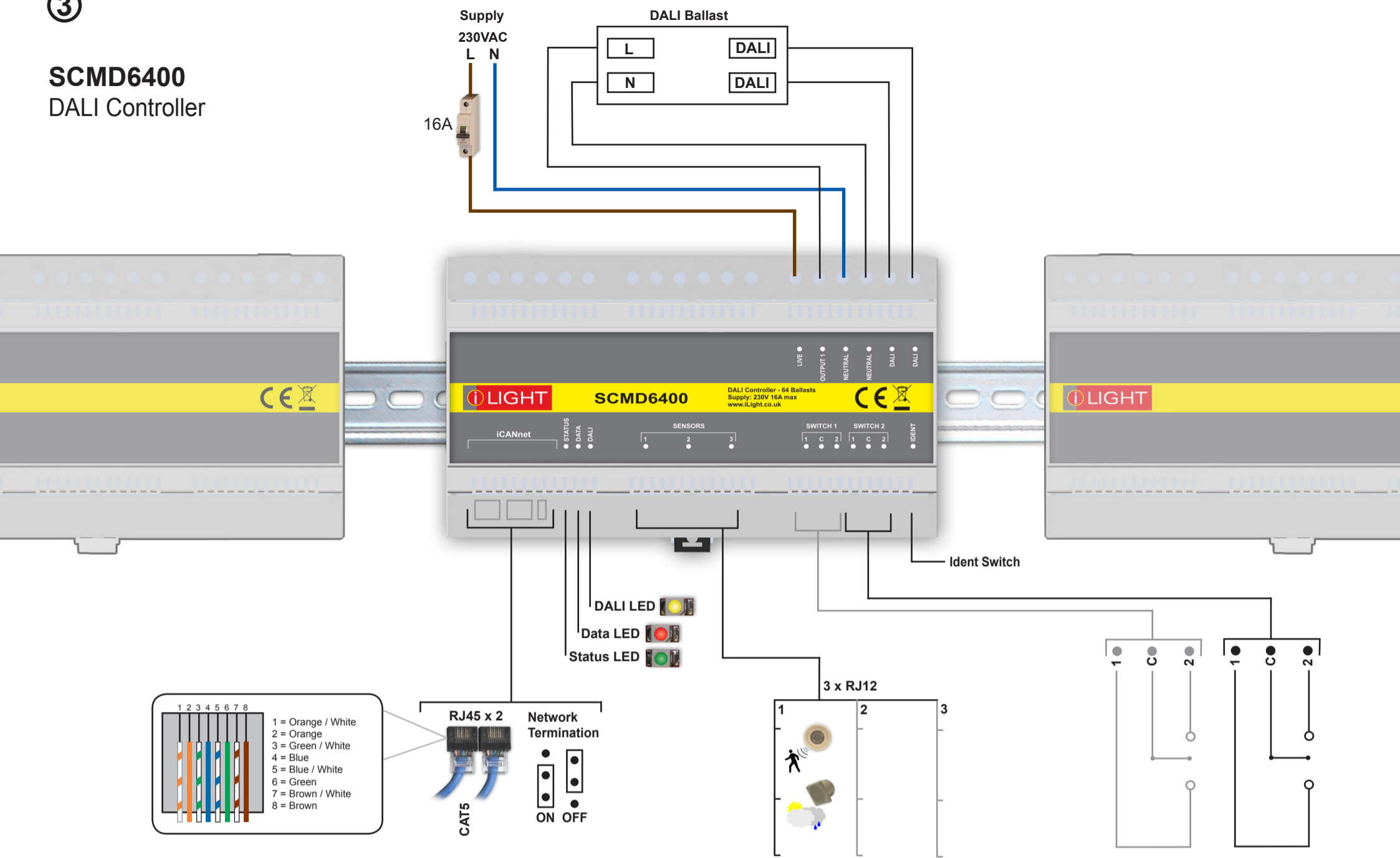
IT

FI

SV

③

SCMD6400 DALI Controller



IM8267 - Issue 4. E&OE.

④ Programming

EN

Ident Switch and LEDs

Normal Running Mode

Green LED flashes – device OK
Red LED flashes when messages sent on network.

Device Identification

Press and release switch.
Sending a message to identify the device on the network (red LED flashes).

iCANnet fault

Red LED is on constantly.

Entering Override Mode

Press and hold switch for 10 seconds.
When in Override mode red and green LEDs flash simultaneously.

Override Mode

Short push of switch - all DALI ballasts on.
Short push of switch - all DALI ballasts off.

Exiting Override Mode

Press and hold switch for 10 seconds or cycle power.
Green LED flashes.

DALI LED

DALI led flashes when a DALI signal is sent to and from a DALI ballast.

FR

DE

NL

ES

IT

FI

SV

IM8267 - Issue 4. E&OE.