

Installation Guide



Master Processor Module  
**MPM2400**

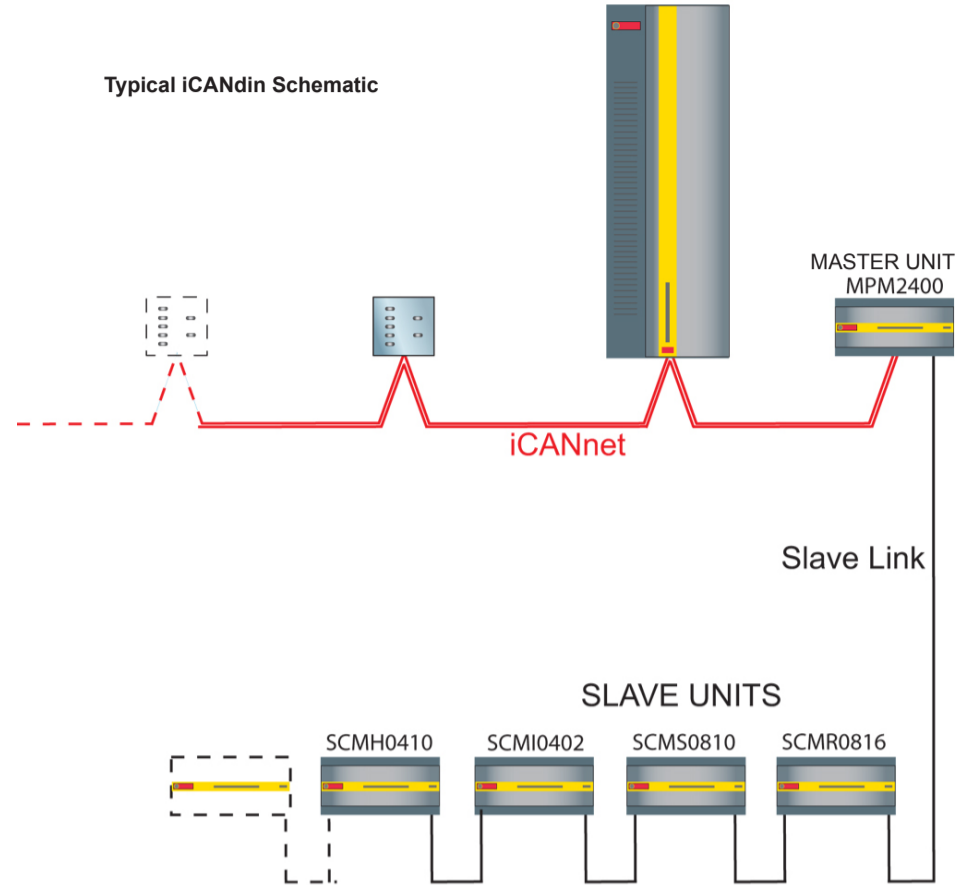


**iLight**  
Unit 4 Enterprise Centre  
Penshurst, Tonbridge  
Kent, TN11 8BG. UK  
Tel: +44 (0)1892 870072  
Fax: +44 (0)1892 870074  
Email: tech.support@iLight.co.uk  
www.iLight.co.uk

IM8261 - Issue 4. E&OE. iLight reserve the right to make changes to the equipment without prior notice. iLight is a trading name of Cooper Controls Ltd © Cooper Controls Ltd 2008.

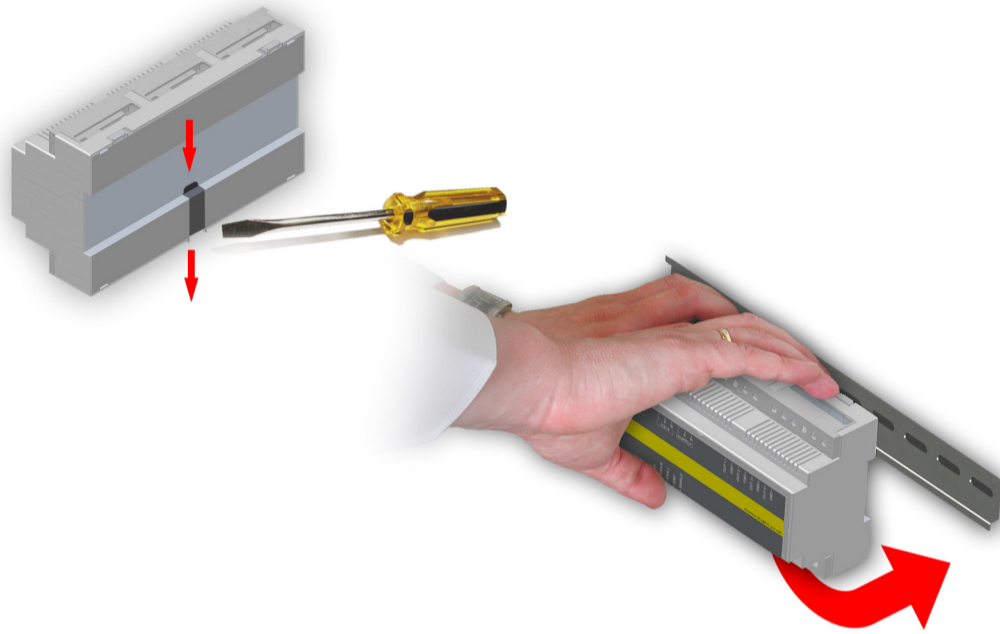


Typical iCANdin Schematic



**1** Mounting

**EN** Always mount in well ventilated location



**2**

**EN**

**Electrical & Mechanical**  
Supply: 1A, 230VAC +/- 10%, 50/60 Hz. Max cable: 2.5mm<sup>2</sup>  
Rating: Max 6A single phase @ 40°C  
Protection: Provided by installer

**Communications**  
Cable specification: CAT5 FTP terminated with RJ45 connectors or at the screw terminals on unit.  
Slave Link Connections: Use cable supplied with unit. See diagram for installation  
Aux / Alarm input: Max cable: 1.5mm<sup>2</sup>, Max Length: 10m

**Safety**  
Ambient temperature: +2C° to +40C°  
Relative humidity: 5% to 95% max, non-condensing  
IP rating: IP20  
Installation: By qualified electrician only

**FR**

**DE**

**NL**

**ES**

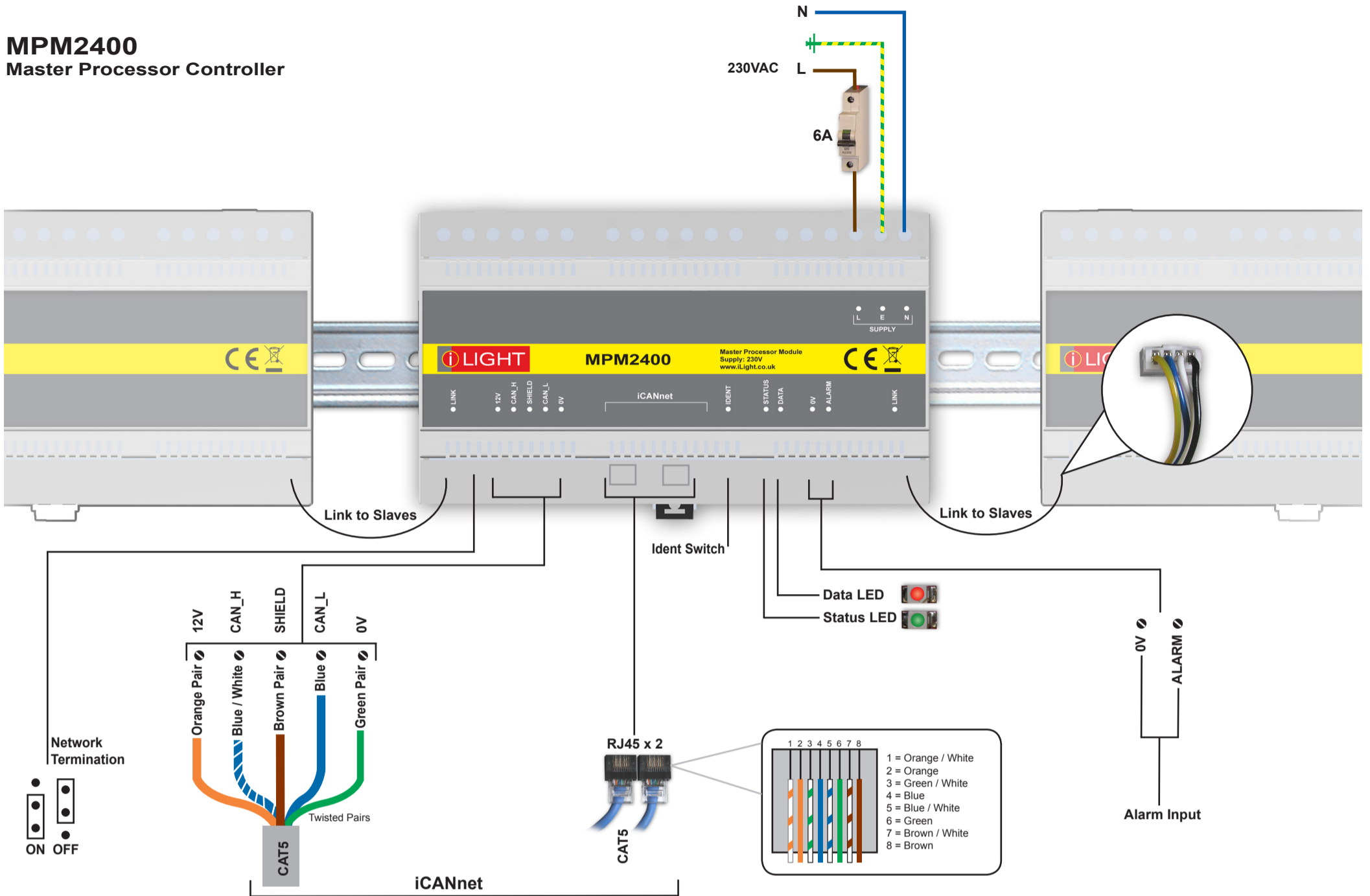
**IT**

**FI**

**SV**

3

**MPM2400**  
Master Processor Controller



IM8261 - Issue 4, E&OE.

4 Programming

EN

**Ident Switch and LEDs**

**Normal Running Mode**  
Green LED flashes – device OK  
Red LED flashes when messages sent on network.

**Device Identification**  
Press and release switch.  
Sending a message to identify the device on the network (red LED flashes).

**iCANnet fault**  
Red LED is on constantly.  
iCANnet error status occurs when unit is not connected to an iCAN network. Once either connected to a network of one or more other powered devices, the error status will be removed. It is possible to enter Override mode if unit is in iCANnet error status.

**Entering Override Mode**  
Press and hold switch for 10s.  
When in Override mode red and green LEDs flash simultaneously.

**Override Mode**  
Short switch push - all iCANdin channels on.  
Short switch push - all iCANdin channels off.

**Exiting Override Mode**  
Press and hold switch for 10s or cycle power.  
Green LED flashes.

FR

DE

NL

ES

IT

FI

SV

IM8261 - Issue 4, E&OE.